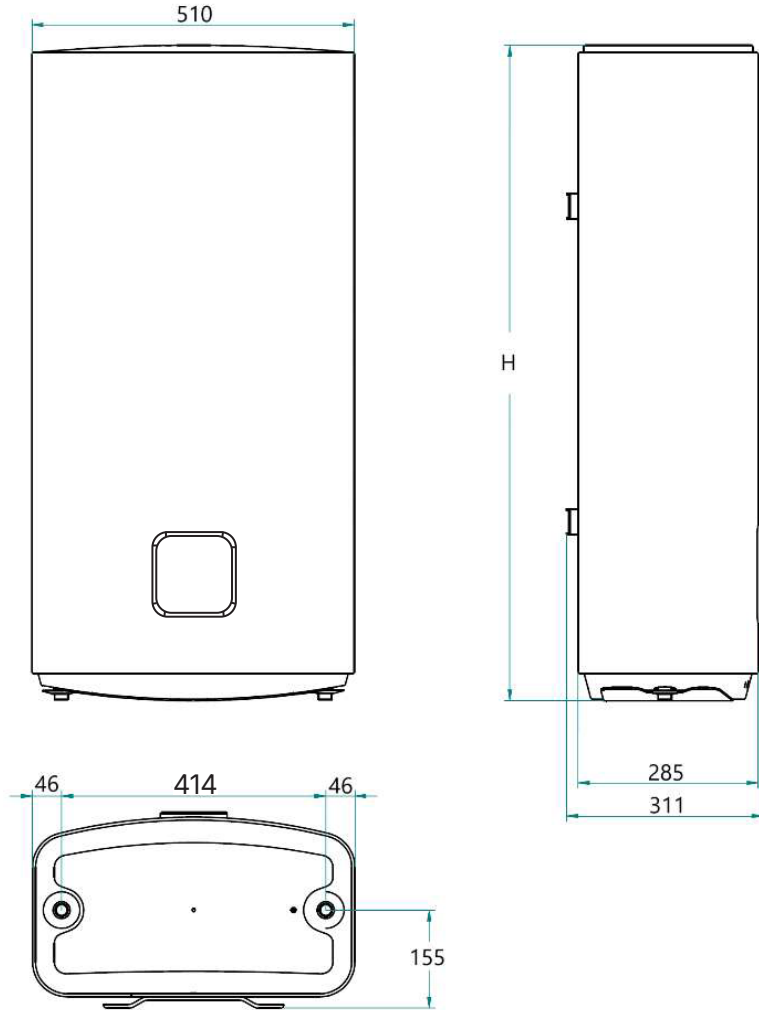


## 1 TECHNICAL DATA

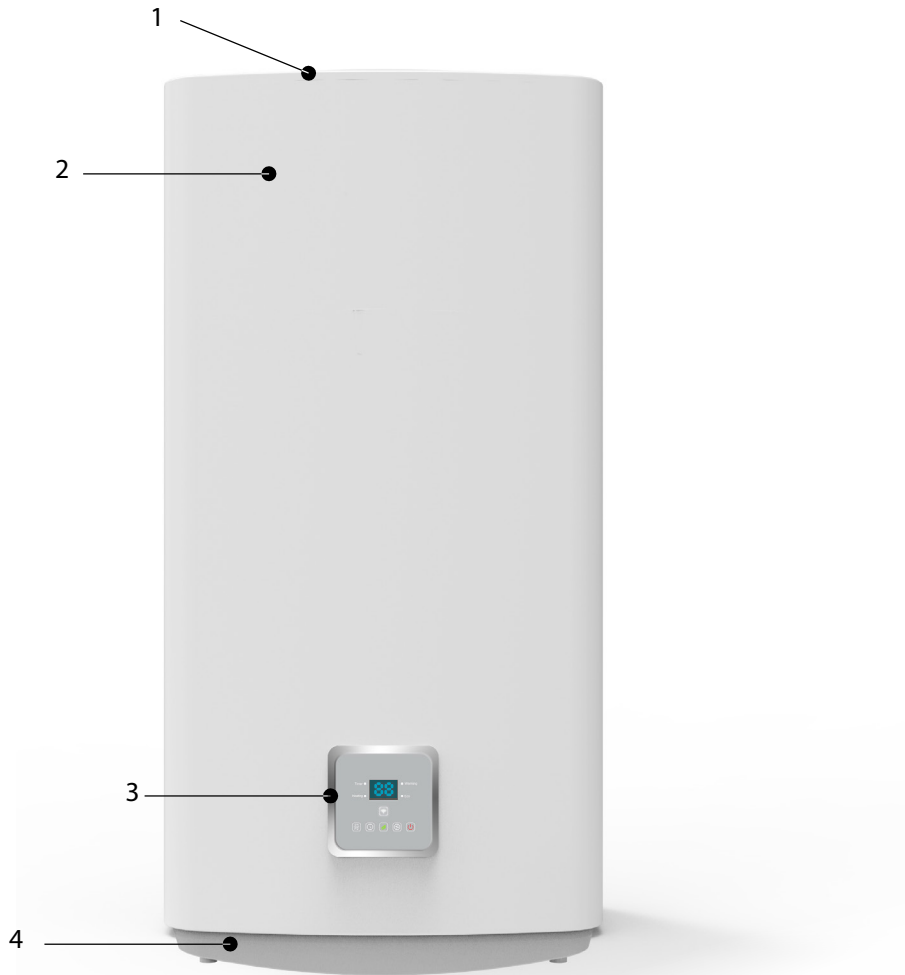
Model	U.M	50	80	100
Effective water content	l	40	64	80
Energy Class	type	B	B	B
Installation way		Vertical&Horizontal	Vertical&Horizontal	Vertical&Horizontal
Thickness of material		1.7mm	2.0mm	2.0mm
Tapping profile	type	M	M	M
Control	type	Electronic Control settable through touch panel or wi-fi mode		
Power supply	V-ph-Hz	230-1-50		
Heating capacity	W	800+1200 W		
Rated current	A	8.7		
Heating stage	N	800W (P1) 1200W ( P2) 2000W (P3=P1+P2)		
Protection	type	Corrosion-proof magnesium anode <b>2 x 24mmΦx200mm</b>		
Isolation material	type	Polyurethane (min thickness 22-26 mm)		
Type of fitting	type	Vertical or horizontal		
Net weight	(kg) (±8%)	22.5	32	39
Max working pressure	Mpa	0,8		
Max working temperature	°C	75		
Protection level	IP	X4		
Carton size (mm)	mm	780X350X585	1107X350X585	1131X350X585

2 DIMENSION



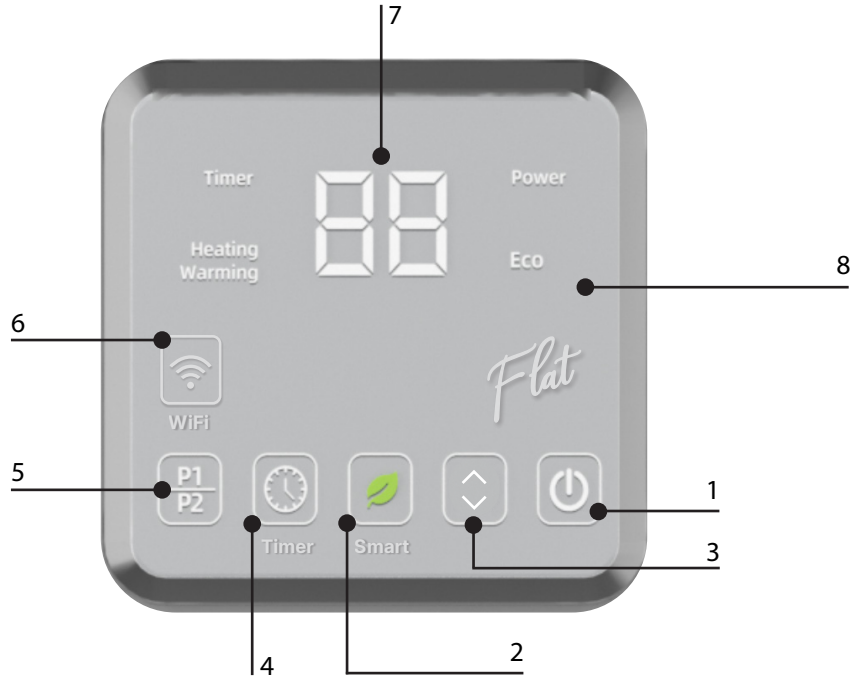
Model		50	80	100
Total Hight	H [mm]	705	1032	1236

3 AESTHETIC APPEARANCE



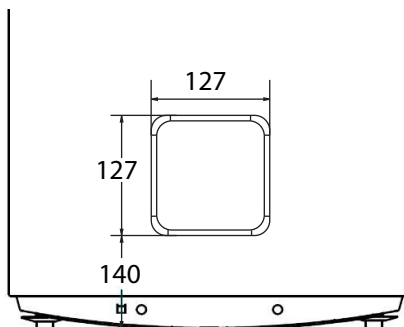
Ref	Description	Material	Colour	Detail
1	Top cover	Plastic	gray RAL 7047	\
2	Housing	Painted metal sheet	White Pantone 663C	\
3	Display	\	\	
4	Bottom cover	Plastic	gray RAL 7047	\

4 DISPLAY

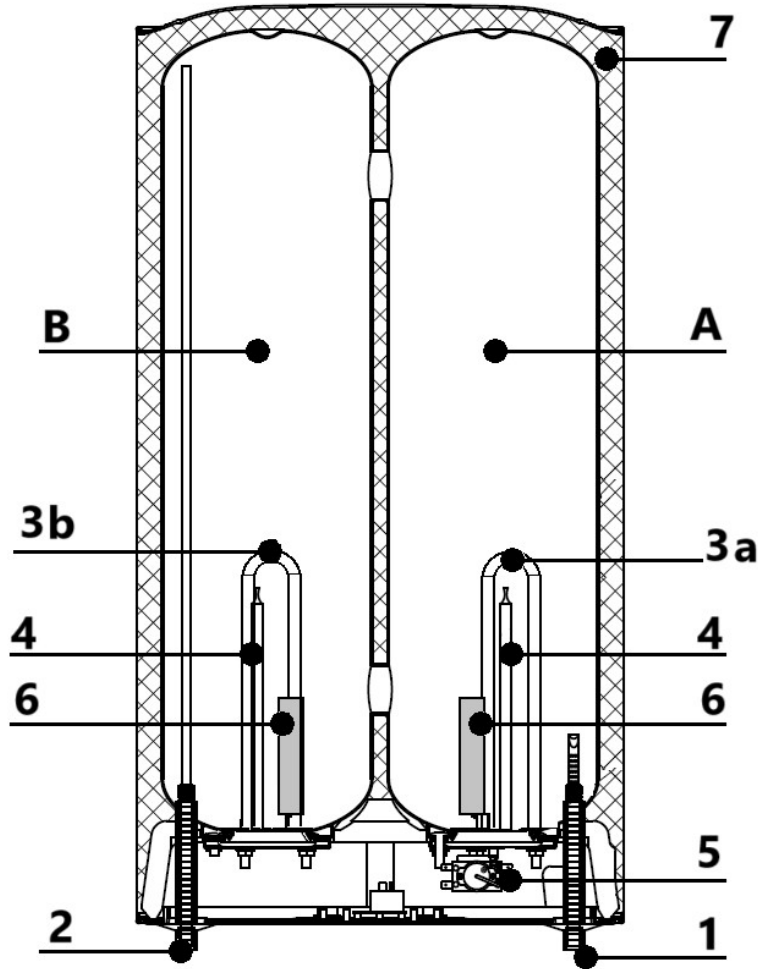


Ref	Description	Detail
1	ON-OFF button	Use to switch ON or OFF the unit
2	SMART mode button	Use to set the ECO (SMART) function
3	UP-DOWN button	Use to increase the set temperature or TIMER seeking
4	TIMER button	Use to set a TIMER function
5	P1/P2 button	Use to select the Heating Capacity level
6	Wi-fi button	Use for remote control se«ng procedure
7	Value display	Show the: - set point temperature during se«ng operation -effective water temperature -error code -TIMER
8	Display color	Gray
9	Numbers on display	Color blue - horizontal & vertical rotation when heater is in horizontal position
10	Functionality buttons	Color - antracit gray - RAL7016

3.1 Display dimension and position



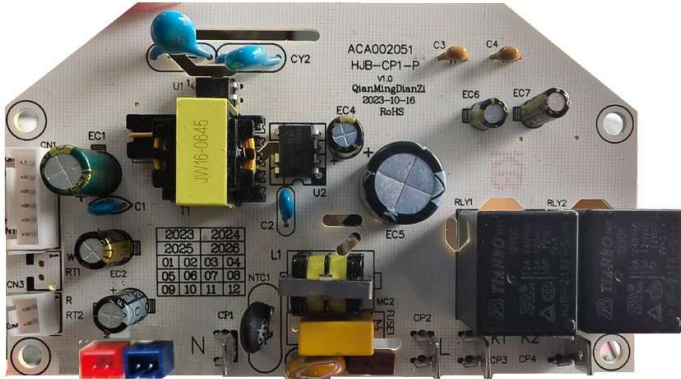
5 INTERNAL LAY-OUT



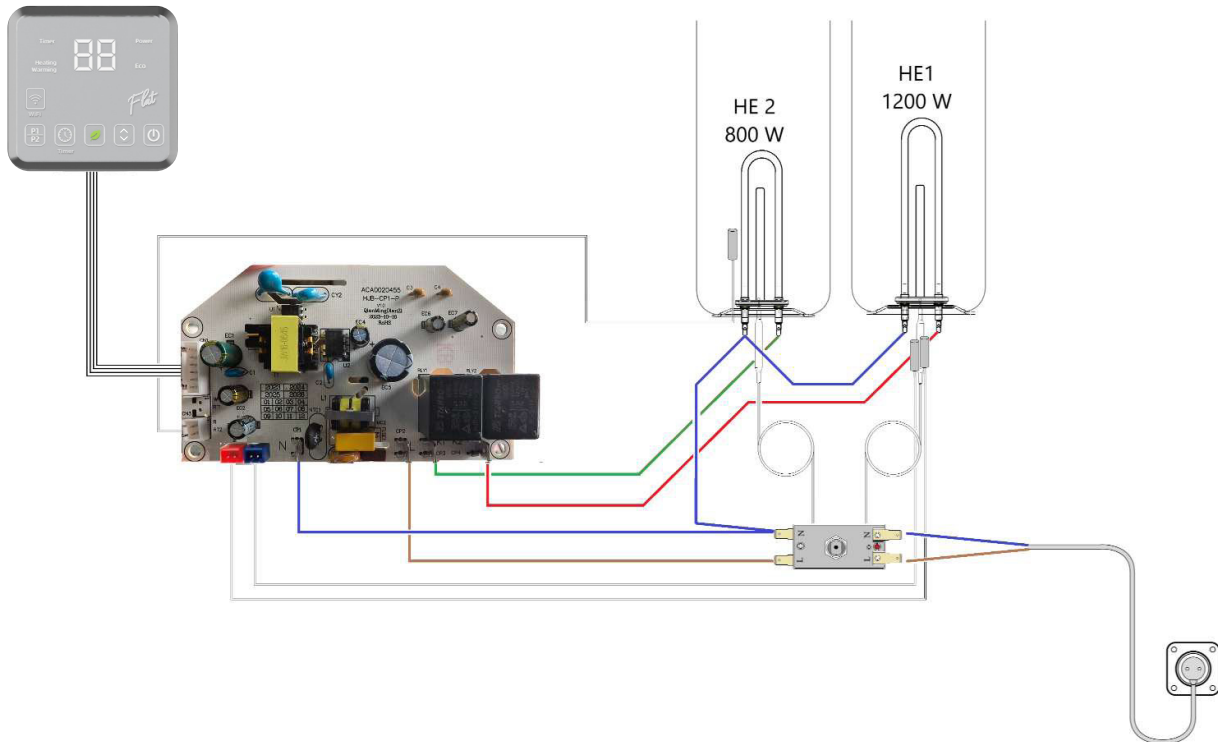
Ref	Description	Detail
A	Inlet tank	Diam 225 mm
B	Outlet tank	Diam 225 mm
1	Inlet connection	G 1/2"
2	Outlet connection	G 1/2"
3a	Inlet side electrical heater	1200 W
3b	Outlet side electrical heater	800 W
4	Position for safety thermostat bulb	\
5	Safety thermostat	Cut-out 100-110°C
6	Magnesium Anode	2 x Ø24 x h 200 mm
7	Insulation material	Polyurethane

## 6 CONTROL BOARD AND CONTROL WIRING

Main controller with two relays for the power controlling

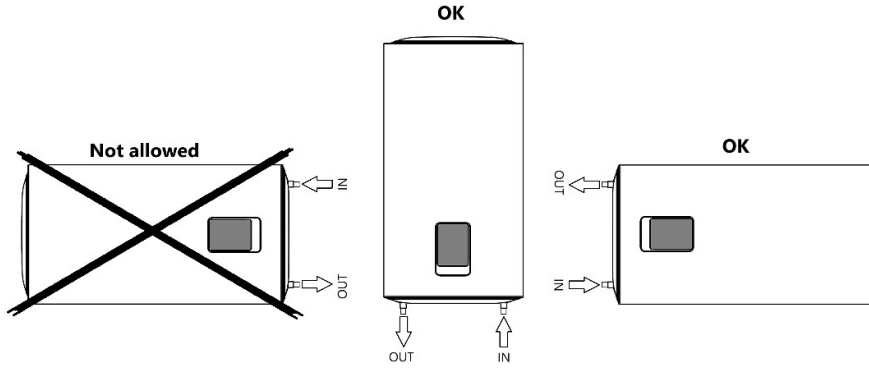


### Wiring scheme



## 7 INSTALLATION OPTION

The unit can be installed in vertical and horizontal in accordance with the below scheme



## 8 PARTS INCLUDED

	<b>Installation and operation manual</b>
	<b>Energy Label</b>
	<b>Hook 2 pcs Ø12 × 100</b>
	<b>Expansor 2 pcs</b>
	<b>Safety Valve ( 8 Bar)</b>
	<b>Gasket 4 pcs</b>
	<b>Connection Rubber nut 2 pcs</b>

Preliminary Data for the customization

- 1) Dimension and position of Logo



- 2) Colour of Logo - silver, metal shine

- 3) Printing technology:  
Sticker - metal shine

top cover - gray RAL 7047



bottom cover - gray RAL 7047